

## Standard Preparation 1160x500xh400 mm Soaking Sink with 1 Bowl

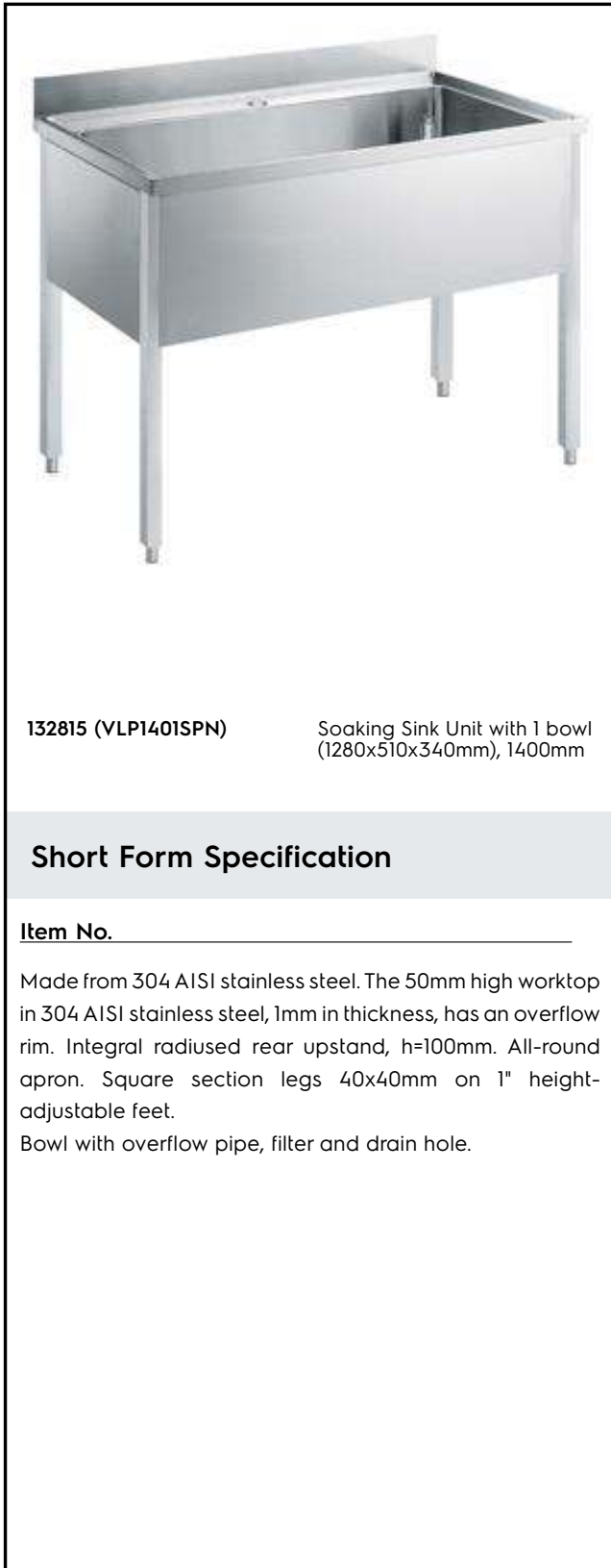
ITEM # \_\_\_\_\_

MODEL # \_\_\_\_\_

NAME # \_\_\_\_\_

SIS # \_\_\_\_\_

AIA # \_\_\_\_\_


**132815 (VLP1401SPN)**

 Soaking Sink Unit with 1 bowl  
 (1280x510x340mm), 1400mm

### Short Form Specification

Item No. \_\_\_\_\_

Made from 304 AISI stainless steel. The 50mm high worktop in 304 AISI stainless steel, 1mm in thickness, has an overflow rim. Integral radiused rear upstand, h=100mm. All-round apron. Square section legs 40x40mm on 1" height-adjustable feet.

Bowl with overflow pipe, filter and drain hole.

### Main Features

- Sturdiness, stability and reliability of table accurately tested.

### Construction

- 50 mm worktop in 304 AISI stainless steel, 10/10 in thickness with overflow rim along the top.
- Square section legs and 40 mm height-adjustable feet in 304 AISI stainless steel.
- Sink tops easily slotted onto the legs and taps are easily installed from the rear.
- Bowl with rounded internal corners supplied as standard with an overflow pipe with filter and a drain hole. Bowl base inclined towards the drain outlet.
- 100 mm upstand with 10 mm radiused corner and 13 mm deep, designed to be used against a wall.
- Wide range of taps are available to suit every need.
- Pan washing support to use inside the bowl is available as an accessory.

### Optional Accessories

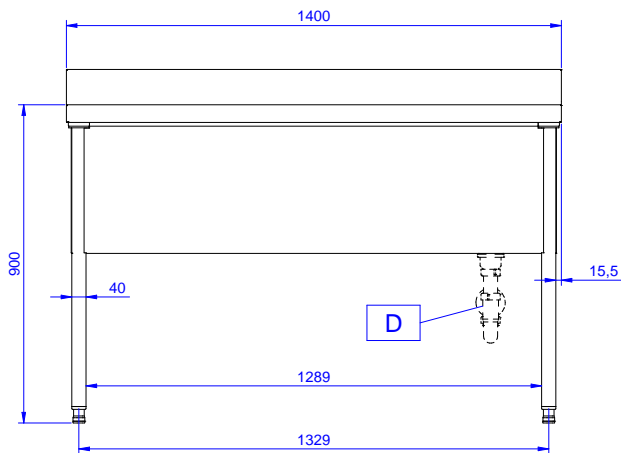
- Lower shelf for 1400mm tables and sinks PNC 855146
- Set of 4 wheels (2 with brake) d. 100mm for tables and sinks (total height on wheels= 993 mm) PNC 855150
- 3-sided underframe for 1400mm tables PNC 855153
- Elbow operated mixer tap with spout 3/4", single hole PNC 855322
- Elbow operated mixer tap with short spout 3/4", single hole PNC 855323
- Foot operated mixer tap (hot and cold) with spout 3/4" PNC 855328
- Single plastic drain syphon 2" for Sinks PNC 895313

APPROVAL: \_\_\_\_\_

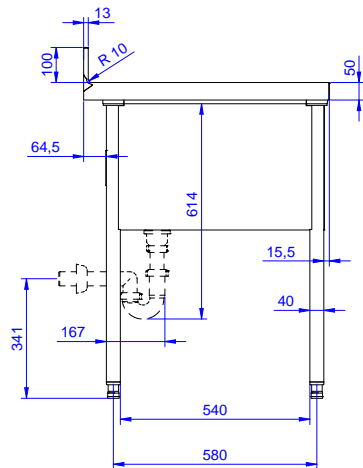
### Key Information:

<b>External dimensions, Width:</b>	
<b>132815 (VLP1401SPN)</b>	1400 mm
<b>External dimensions, Depth:</b>	700 mm
<b>External dimensions, Height:</b>	1000 mm
<b>Upstand Dimensions, Height:</b>	100 mm
<b>Upstand Dimensions, Depth:</b>	13 mm
<b>Upstand Dimensions, Radius:</b>	R=10
<b>Bowls number</b>	1
<b>Bowl dimensions</b>	1160x500xH400
<b>Worktop thickness:</b>	50 mm
<b>Net weight:</b>	60 kg

Front



Side



D = Drain

Top

